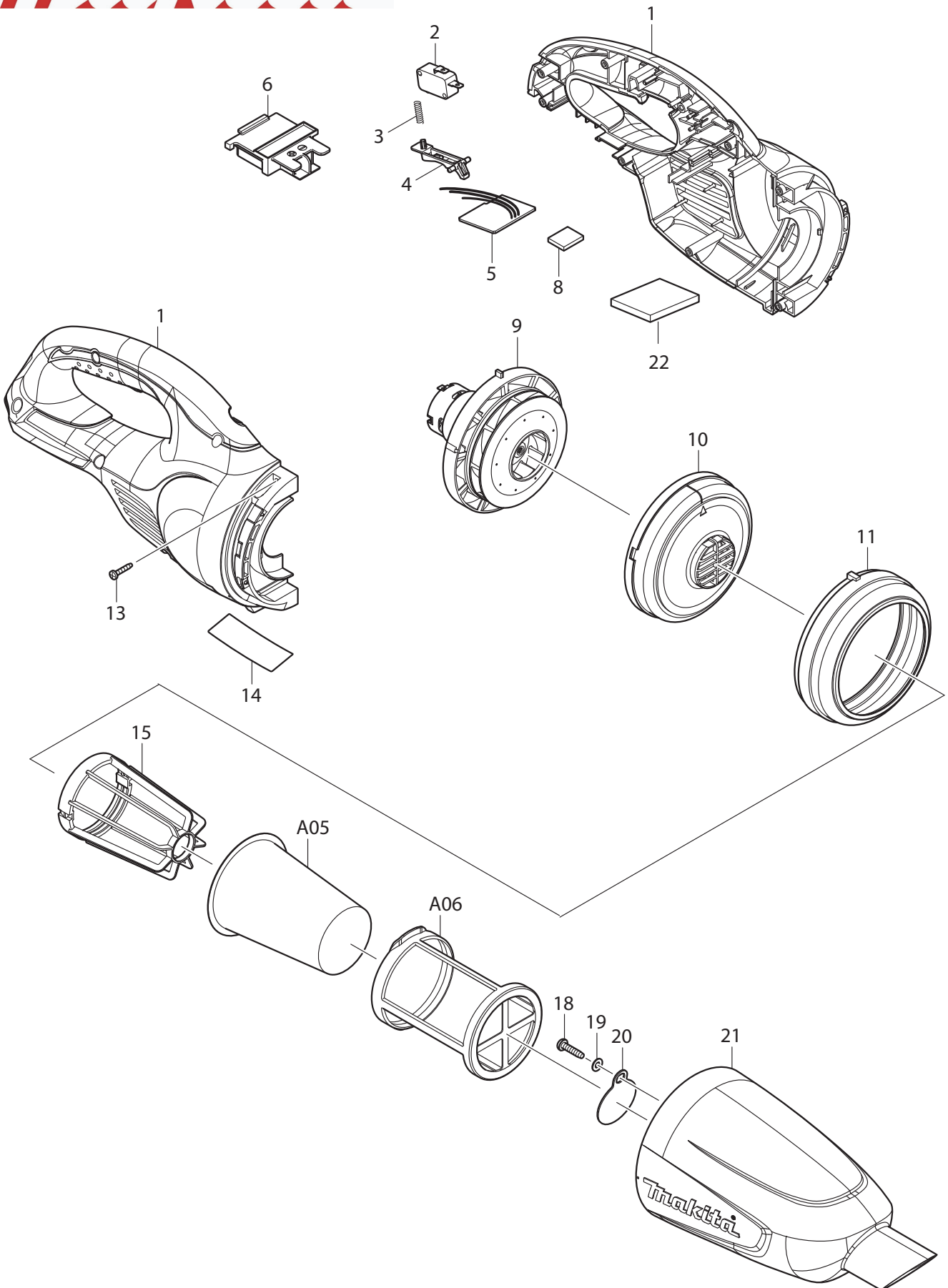




04 - 2014
DCL180F, DCL180Z
18V VACUUM CLEANER



Item No	Type	Ref	Part No	Description	Qty	Unit
1			187837-3	HOUSING SET	1	SET
		INC.	424209-4	SPONGE SHEET 50-50	2	PC.
		INC. Type1	802X57-9	CAUTION LABEL	1	PC.
		INC. Type2	806U42-6	CAUTION LABEL	1	PC.
2			651891-8	SWITCH V-15-3A6	1	PC.
3			231473-8	COMPRESSION SPRING 4	1	PC.
4			451227-9	SWITCH LEVER	1	PC.
5			638936-9	CONTROLLER UNIT	1	PC.
6			643860-3	TERMINAL	1	PC.
8			424248-4	SPONGE SHEET 15-25	1	PC.
9			125867-6	MOTOR ASS'Y	1	PC.
		INC.	452455-9	BASE	1	PC.
		INC.	265199-0	+ PAN HEAD SCREW M3X8	2	PC.
		INC.	240102-2	FAN 82	1	PC.
10			416030-5	FAN COVER	1	PC.
11			424320-2	RUBBER RING	1	PC.
13			266429-2	TAPPING SCREW 3X16	7	PC.
14			815F73-4	NAME PLATE F/DCL180	1	PC.
15			410237-5	STAY	1	PC.
18			265995-6	TAPPING SCREW 4X18	1	PC.
19			941051-3	FLAT WASHER 4	1	PC.
20			424208-6	VALVE	1	PC.
21			451235-0	CAPSULE	1	PC.
22			424308-2	SPONGE SHEET 50-36	1	PC.
23			632H18-7	FUSE UNIT (Added)	1	PC.
		INC.	654069-2	RECEPTACLE	1	PC.
D02			654208-4	RECEPTACLE	1	PC.
ACCESSORIES			- See Catalogue or visit www.makita.ca for more accessories -			
A01	1		122859-6	NOZZLE ASSY (T-NOZZLE), BLUE	1	PC.
		INC.	451410-8	ROLLER	4	PC.
		INC.	268208-4	PIN 3	4	PC.
		INC.	424096-1	WIPER	1	PC.
A01	2		123488-8	NOZZLE ASSY (T-NOZZLE), BLUE	1	PC.
		INC.	451410-8	ROLLER	4	PC.
		INC.	268208-4	PIN 3	4	PC.
		INC.	424096-1	WIPER	1	PC.
A02			451243-1	SASH NOZZLE, blue	1	PC.
A03			451244-9	PIPE, blue	1	PC.
A04			451245-7	SASH NOZZLE HOLDER, blue	1	PC.
A05			443060-3	FILTER	1	PC.
A06			451208-3	PRE-FILTER	1	PC.
A07			122291-4	NOZZLE ASSY (T-NOZZLE), F/ CARPET, IVORY	1	PC.
A08			191496-7	FLEXIBLE HOSE, ivory	1	PC.
A09			191724-0	SHELF BRUSH, ivory	1	PC.
A10			-----	18V LI-ION BATTERY		
A11			-----	BATTERY CHARGER		
A12			-----	LI-ION BATTERY ACCESSORIES		
A13	1		A-37471	ROUND BRUSH SET, IVORY	1	PC.
	2		198548-5	ROUND BRUSH SET, IVORY	1	PC.
A14			198752-6	HIGH EFFICIENCY PRE-FILTER (PKG)	1	PC.

SERVICE CHANGES

***See Wiring Diagram change (T/l# B4546)